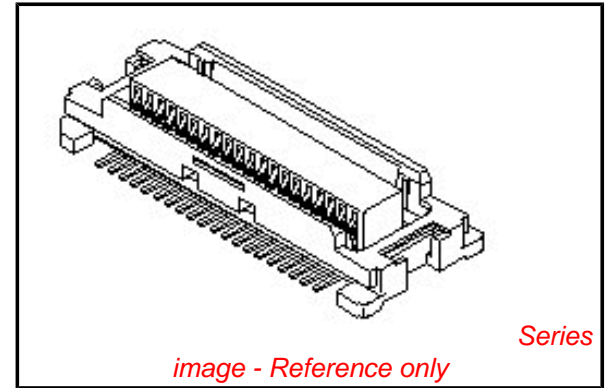


PLEASE CHECK WWW.MOLEX.COM FOR LATEST PART INFORMATION

Part Number: [0541670408](#)
Status: **Active**
Description: 0.50mm (.020") Pitch SlimStack™ Receptacle, Surface Mount, Dual Row, Vertical, 3.00 and 4.00mm (.118" and .157") Stacking Heights, Lower Circuit Size Version, Black, 40 Circuits

Documents:

3D Model	Product Specification PS-54167-002 (PDF)
Drawing (PDF)	Product Specification PS-54167-003 (PDF)
Product Specification PS-52991-003 (PDF)	RoHS Certificate of Compliance (PDF)
Product Specification PS-52991-008 (PDF)	



General

Product Family	PCB Receptacles
Series	54167
Application	Board-to-Board
Product Name	SlimStack™

Physical

Circuits (Loaded)	40
Glow-Wire Compliant	No
Mated Height (in)	0.118 In, 0.157 In
Mated Height (mm)	3.00 mm, 4.00 mm
Material - Plating Mating	Gold
Material - Plating Termination	Gold
Number of Rows	2
Orientation	Vertical
PCB Locator	No
PCB Retention	None
Packaging Type	Embossed Tape on Reel
Pitch - Mating Interface (in)	0.020 In
Pitch - Mating Interface (mm)	0.50 mm
Plating min: Mating (µin)	4
Plating min: Mating (µm)	0.1
Plating min: Termination (µin)	10
Plating min: Termination (µm)	0.25
Polarized to PCB	No
Surface Mount Compatible (SMC)	N/A
Temperature Range - Operating	-40°C to +105°C
Termination Interface: Style	Surface Mount

Electrical

Current - Maximum per Contact	0.5A
Voltage - Maximum	50V

Material Info

Reference - Drawing Numbers

Product Specification	PS-52991-003, PS-52991-008, PS-54167-002, PS-54167-003, RPS-52991-019
Sales Drawing	SD-54167-001, SD-54167-002

EU RoHS

ELV and RoHS Compliant
REACH SVHC
 Not Reviewed
Halogen-Free Status

China RoHS



Not Reviewed

Need more information on product environmental compliance?

Email productcompliance@molex.com
 For a multiple part number RoHS Certificate of Compliance, [click here](#)

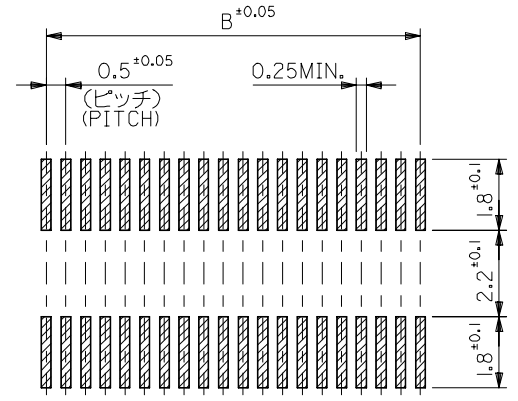
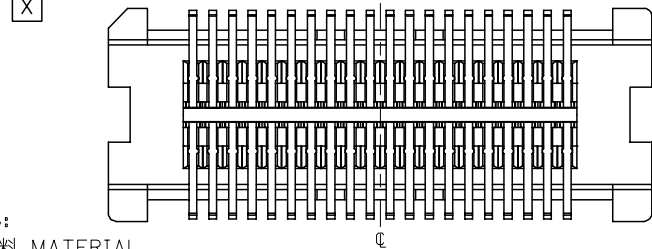
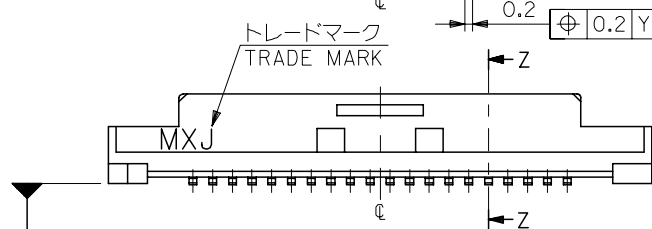
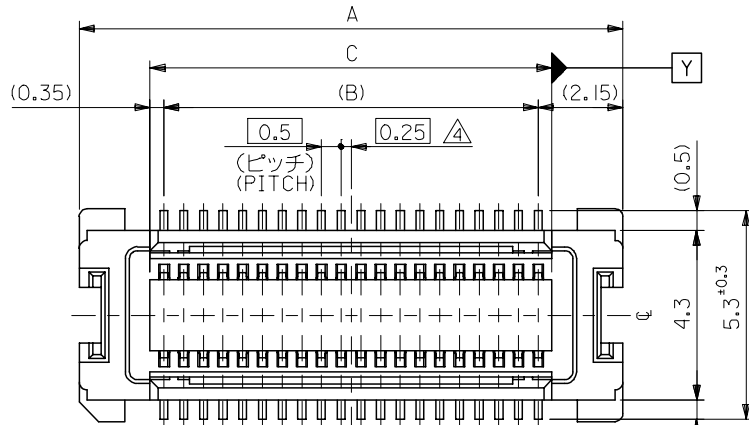
Please visit the [Contact Us](#) section for any non-product compliance questions.

Search Parts in this Series

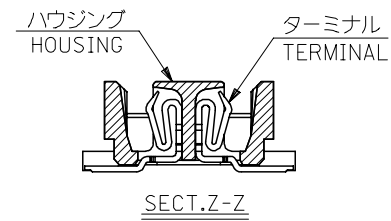
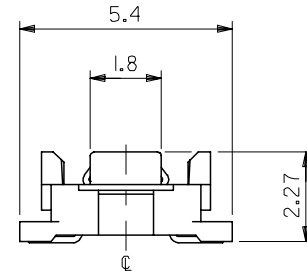
54167Series

Mates With

53916 , 53748



参考基板レイアウト (マウント面)
P.C. BOARD PATTERN
DIMENSION. (REF.)
(MOUNTING AREA)

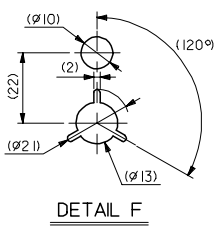
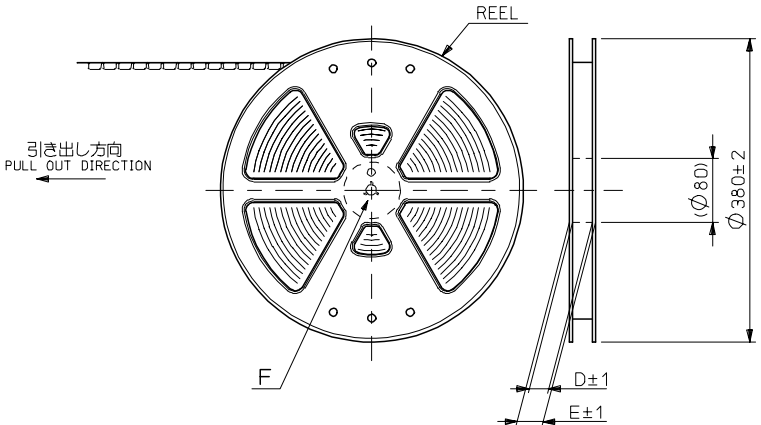


注記 NOTES:

1. 使用材料 MATERIAL
ハウジング: LCPガラス入り (黒) UL94V-0
HOUSING: LCP(G.F.)(COLOR :BLACK),
UL94V-0
ターミナル: リン青銅 (t=0.15)
TERMINAL: PHOSPHOR BRONZE (t=0.15)
2. メッキ仕様 PLATING
全体仕上げ: 金メッキ 0.1 MICROMETER MIN.
ALL OVER : GOLD 0.1 MICROMETER MIN.
下地メッキ: ニッケルメッキ 1.5 MICROMETER MIN.
UNDER PLATING : NICKEL 1.5 MICROMETER MIN.
3. 基準面 [X] からのソルダーテールの半田付け面のズレ量は、上方向 0、
下方向 0.15MAX. とする。
MISALIGNMENT OF SOLDER TAIL FROM [X]
: UPPER DIRECTION 0, LOWER DIRECTION 0.15 MAX.
4. (全極数/2) = 偶数の場合に適用。
APPLY FOR (CIRCUIT/2)=EVEN.
5. 嵌合相手: 53748 シリーズ, 53916 シリーズ, 502280 シリーズ
MATE WITH : 53748 SERIES, 53916 SERIES, 502280 SERIES.
6. テール平坦度は、0.1MAX.
TAIL COPLANARITY TO BE 0.1MAX.

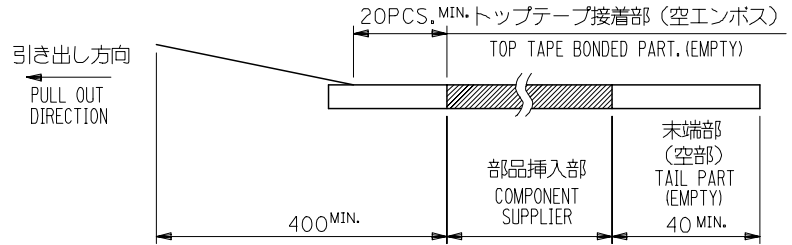
20.2	19.5	23.8	54167-0801	80
17.7	17.0	21.3	-0701	70
15.2	14.5	18.8	-0601	60
12.7	12.0	16.3	-0501	50
10.2	9.5	13.8	-0401	40
7.7	7.0	11.3	-0301	30
5.2	4.5	8.8	54167-0201	20
C	B	A	MATERIAL NO.	極数 CIRCUIT

REVISED EC NO: J2007-0273 DRWN: TENAGASE 2006/07/28 CHKD: THARUYAMA 2006/08/03 APPR: NUKITA 2006/08/07	GENERAL TOLERANCES (UNLESS SPECIFIED)		DIMENSION STYLE MM ONLY		SCALE ---	DESIGN UNITS METRIC	THIRD ANGLE PROJECTION
	10 UNDER	±0.2	DRAWN BY S. AIHARA	DATE '96/11/28	TITLE 0.5 B/B CONN REC HSG ASSY(W/O BOSS, W/O NAIL) -LEAD FREE-		
	10 OVER 30 UNDER	±0.25	CHECKED BY M. SASAO	DATE '01/12/26	MOLEX INCORPORATED		
	30 OVER	±0.3	APPROVED BY M. SASAO	DATE '01/12/26	DOCUMENT NO. SD-54167-001	SHEET NO. 1 OF 1	
	ANGULAR	±3 °	MATERIAL NO. SEE CHART		THIS DRAWING CONTAINS INFORMATION THAT IS PROPRIETARY TO MOLEX INCORPORATED AND SHOULD NOT BE USED WITHOUT WRITTEN PERMISSION		
	DRAFT WHERE APPLICABLE MUST REMAIN WITHIN DIMENSIONS		SIZE A3				

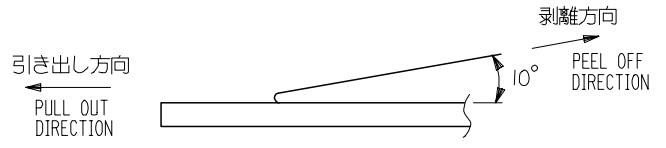


NOTES

- 製品詳細寸法については図面 SD-54167-001 を参照下さい。
RE DETAILED DIMENSION, SEE SD-54167-001
- 梱包数量：3000個/リール
NUMBER OF CONNECTORS : 3000PCS/REEL
- リードテープ長さ LEAD TAPE LENGTH



- トップテープの剥離強度：0.1N~1.3 (10gf~130gf) (剥離方向は下図参照)
尚、本規格値は出荷時に適用。(但し、輸送時に剥離が発生しないこと。)
PEELING OFF FORCE OF TOP TAPE : 0.1N~1.3 (10gf~130gf)
(PEELING DIRECTION AS SHOWN IN FOLLOWING FIG.)
THIS REQUIREMENT SHOULD BE APPLIED AT SHIPMENT.
PEEL OFF SHOULD NOT BE ALLOWED , DURING TRANSPORTATION.



- 材料(MATERIAL)
キャリアテープ(CARRIER TAPE)：ポリプロピレン(POLYPROPYLENE)
トップテープ(TOPTAPE)：PET , PE , PEF
リール(REEL)：ポリスチレン (PS) <リサイクル材を含む>
POLYSTYREN(PS) <RECYCLE MATERIAL CONTAINED>

54167***8 MODEL NO.

REVISED EC NO: J2006-0604 DRW:NAIDA 2005/08/31 CHKD:KTOYODA 2005/09/01 APPR:NUKITA 2005/09/09	GENERAL TOLERANCES (UNLESS SPECIFIED)		DIMENSION STYLE MM ONLY	SCALE ---	DESIGN UNIT'S METRIC	THIRD ANGLE PROJECTION
	10 UNDER	±0.2	DRAWN BY S. AIHARA	DATE '96/11/25	TITLE 0.5 B/B CONN REC HSG ASSY EMBSTP PKG -LEAD FREE-	
	10 OVER 30 UNDER	±0.25	CHECKED BY T. ITO	DATE '00/12/06	MOLEX INCORPORATED	
	30 OVER	±0.3	APPROVED BY M. FUKUSHIMA	DATE '00/12/06	DOCUMENT NO. SD-54167-002	SHEET NO. 1 OF 6
	ANGULAR	±3 °	MATERIAL NO. SEE CHART			
DRAFT WHERE APPLICABLE MUST REMAIN WITHIN DIMENSIONS		SIZE A3	THIS DRAWING CONTAINS INFORMATION THAT IS PROPRIETARY TO MOLEX INCORPORATED AND SHOULD NOT BE USED WITHOUT WRITTEN PERMISSION			

10 9 8 7 6 5 4 3 2 1

F

F

E

E

D

D

C

C

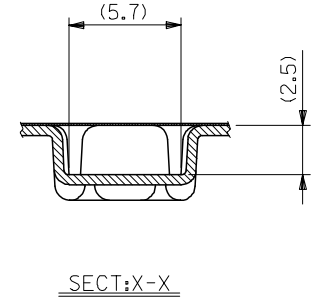
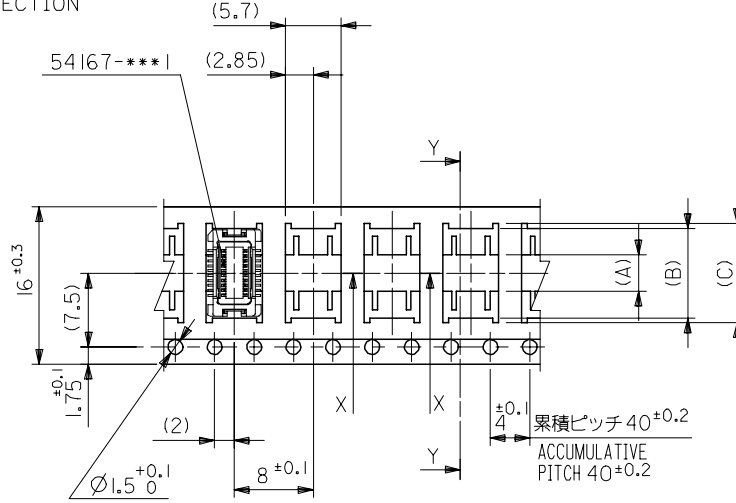
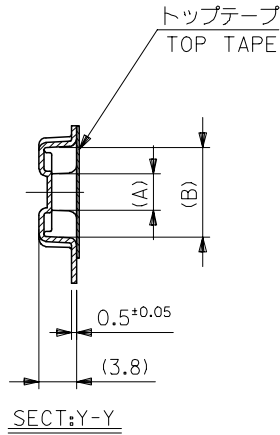
B

B

A

A

引き出し方向
PULL OUT DIRECTION



16mm幅キャリアテープ
16mm WIDTH CARRIER TAPE

REVISED		EC NO: J2006-0604		2005/08/31		2005/09/01		2005/09/09		54167***8		MODEL NO.		16		21.4		17.4		10.1		9.1		3.7		54167-0208		20	
DRAWN BY		DATE		TITLE		SCALE		DESIGN UNITS		THIRD ANGLE PROJECTION		CARRIER TAPE WIDTH		E		D		(C)		(B)		(A)		MATERIAL NO.		極数			
S. AIHARA		'97/05/09		0.5 B/B CONN REC HSG ASSY EMBSTP PKG -LEAD FREE-		---		METRIC		⊙ □		54167***8		E		D		(C)		(B)		(A)		54167-0208		20			
CHECKED BY		DATE		MOLEX INCORPORATED		---		---		---		T. ITO		'00/12/06		MATERIAL NO.		DOCUMENT NO.		SHEET NO.		---		---		---			
M. FUKUSHIMA		'00/12/06		SD-54167-002		---		---		---		M. FUKUSHIMA		'00/12/06		SEE CHART		SD-54167-002		2 OF 6		---		---		---			
ANGULAR		± --- °		THIS DRAWING CONTAINS INFORMATION THAT IS PROPRIETARY TO MOLEX INCORPORATED AND SHOULD NOT BE USED WITHOUT WRITTEN PERMISSION		---		---		---		---		---		---		---		---		---		---		---			
DRAFT WHERE APPLICABLE MUST REMAIN WITHIN DIMENSIONS		---		---		---		---		---		---		---		---		---		---		---		---		---			

9

8

7

6

5

4

3

2

10 9 8 7 6 5 4 3 2 1

F

E

D

C

B

A

F

E

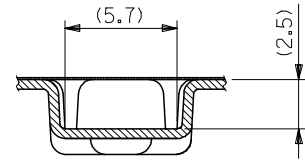
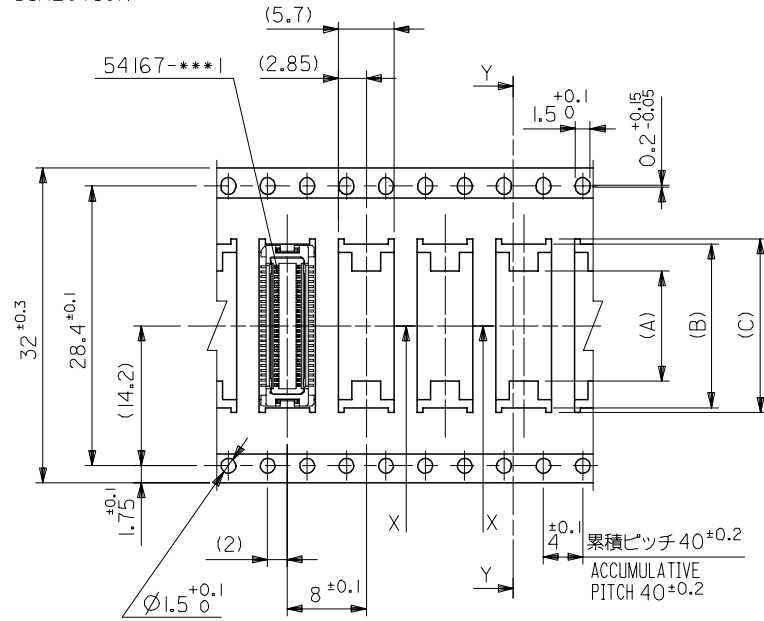
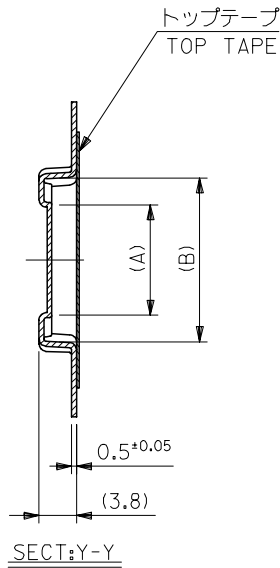
D

C

B

A

引き出し方向
PULL OUT DIRECTION



32mm幅キャリアテープ
32mm WIDTH CARRIER TAPE

REVISED		EC NO: J2006-0604		2005/08/31		2005/09/01		2005/09/09		54167***8		MODEL NO.		32		37.4		33.4		17.6		16.6		11.2		54167-0508		50	
DRAWN BY		DATE		TITLE		SCALE		DESIGN UNITS		THIRD ANGLE PROJECTION		CARRIER TAPE WIDTH		E		D		(C)		(B)		(A)		MATERIAL NO.		極数		CIRCUIT	
S. AIHARA		'96/11/25		0.5 B/B CONN REC HSG ASSY EMBSTP PKG -LEAD FREE-		---		METRIC		⊙ □		5		D		(C)		(B)		(A)		54167-0508		50		CIRCUIT			
CHECKED BY		DATE		MOLEX INCORPORATED		---		---		⊙ □		5		D		(C)		(B)		(A)		54167-0508		50		CIRCUIT			
T. ITO		'00/12/06		MOLEX INCORPORATED		---		---		⊙ □		5		D		(C)		(B)		(A)		54167-0508		50		CIRCUIT			
APPROVED BY		DATE		MOLEX INCORPORATED		---		---		⊙ □		5		D		(C)		(B)		(A)		54167-0508		50		CIRCUIT			
M. FUKUSHIMA		'00/12/06		MOLEX INCORPORATED		---		---		⊙ □		5		D		(C)		(B)		(A)		54167-0508		50		CIRCUIT			
MATERIAL NO.		DOCUMENT NO.		SHEET NO.		---		---		⊙ □		5		D		(C)		(B)		(A)		54167-0508		50		CIRCUIT			
SEE CHART		SD-54167-002		4 OF 6		---		---		⊙ □		5		D		(C)		(B)		(A)		54167-0508		50		CIRCUIT			
SIZE		THIS DRAWING CONTAINS INFORMATION THAT IS PROPRIETARY TO MOLEX INCORPORATED AND SHOULD NOT BE USED WITHOUT WRITTEN PERMISSION				---		---		⊙ □		5		D		(C)		(B)		(A)		54167-0508		50		CIRCUIT			
A3						---		---		⊙ □		5		D		(C)		(B)		(A)		54167-0508		50		CIRCUIT			

9

8

7

6

5

4

3

2

10 9 8 7 6 5 4 3 2 1

F

E

D

C

B

A

F

E

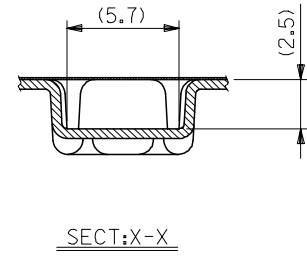
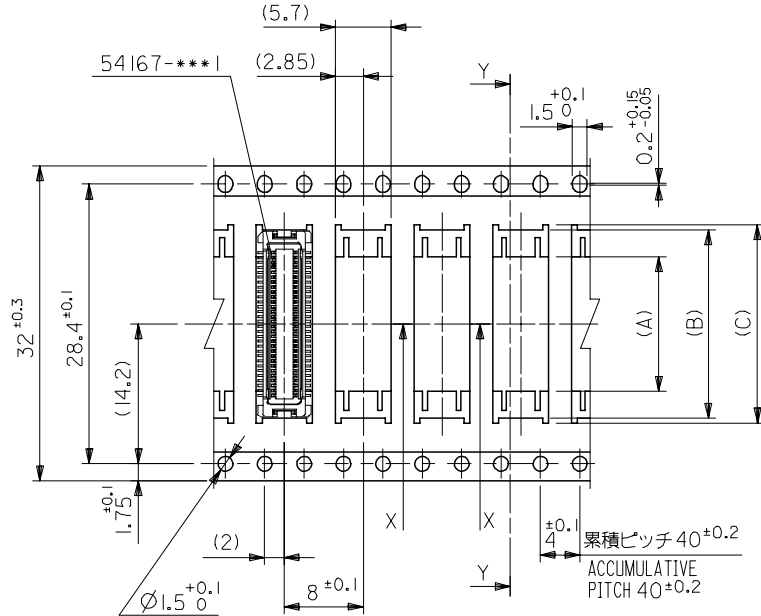
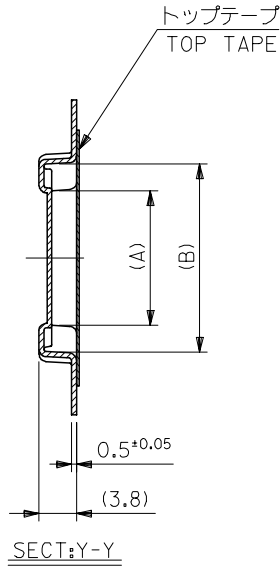
D

C

B

A

引き出し方向
PULL OUT DIRECTION



32mm幅キャリアテープ
32mm WIDTH CARRIER TAPE

REVISED	EC NO: J2006-0604	2005/08/31	DRWN:NAIDA	2005/09/01	CHKD:KTOYODA	2005/09/01	APPR:NUKITA	2005/09/09
DESCRIPTION	54167***8 MODEL NO.							
REV	GENERAL TOLERANCES (UNLESS SPECIFIED)							
	10 UNDER	± ---	DIMENSION STYLE MM ONLY					
	10 OVER 30 UNDER	± ---	SCALE ---					
	30 OVER	± ---	DESIGN UNITS METRIC					
	ANGULAR	± 1 °	THIRD ANGLE PROJECTION					
	DRAFT WHERE APPLICABLE MUST REMAIN WITHIN DIMENSIONS							
	DRAWN BY T. YASUI		DATE '97/05/14		TITLE 0.5 B/B CONN REC HSG ASSY EMBSTP PKG -LEAD FREE-			
	CHECKED BY T. ITO		DATE '00/12/06		MOLEX INCORPORATED			
	APPROVED BY M. FUKUSHIMA		DATE '00/12/06		DOCUMENT NO. SD-54167-002			
	MATERIAL NO.		SEE CAHRT		SHEET NO. 5 OF 6			
	SIZE A3 THIS DRAWING CONTAINS INFORMATION THAT IS PROPRIETARY TO MOLEX INCORPORATED AND SHOULD NOT BE USED WITHOUT WRITTEN PERMISSION							

9

8

7

6

5

4

3

2

10 9 8 7 6 5 4 3 2 1

F

E

D

C

B

A

F

E

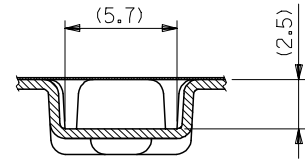
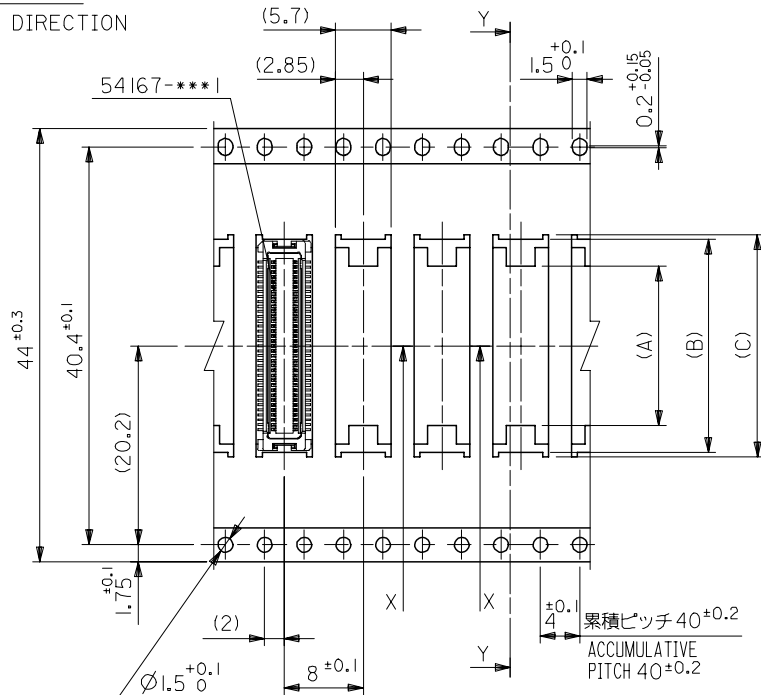
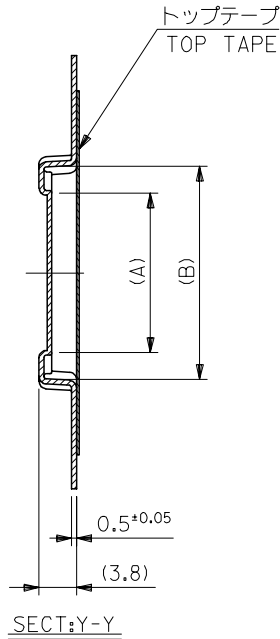
D

C

B

A

引き出し方向
PULL OUT DIRECTION



SECT:X-X

44mm幅キャリアテープ
44mm WIDTH CARRIER TAPE

REVISED	EC NO: J2006-0604	2005/08/31	DRWN:NAIDA	2005/09/01	CHKD:KTOYODA	2005/09/09	APPR:NUKITA	2005/09/09	DESCRIPTION	54167***8	MODEL NO.	44	49.4	45.4	25.1	24.1	17.5	54167-0808	80
GENERAL TOLERANCES (UNLESS SPECIFIED)										DIMENSION STYLE MM ONLY			SCALE ---		DESIGN UNITS METRIC		THIRD ANGLE PROJECTION		
10 UNDER ± ---										DRAWN BY S. AIHARA			DATE '98/10/23		TITLE 0.5 B/B CONN REC HSG ASSY EMBSTP PKG -LEAD FREE-				
10 OVER 30 UNDER ± ---										CHECKED BY T. ITO			DATE '00/12/06		MOLEX INCORPORATED				
30 OVER ± ---										APPROVED BY M. FUKUSHIMA			DATE '00/12/06		MATERIAL NO. SD-54167-002				
ANGULAR ± --- °										DRAFT WHERE APPLICABLE MUST REMAIN WITHIN DIMENSIONS			SIZE A3		SHEET NO. 6 OF 6				
THIS DRAWING CONTAINS INFORMATION THAT IS PROPRIETARY TO MOLEX INCORPORATED AND SHOULD NOT BE USED WITHOUT WRITTEN PERMISSION																			

9

8

7

6

5

4

3

2